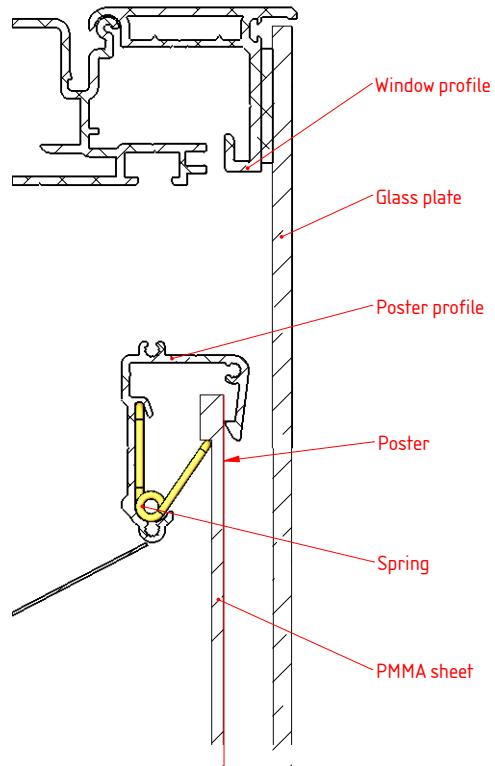
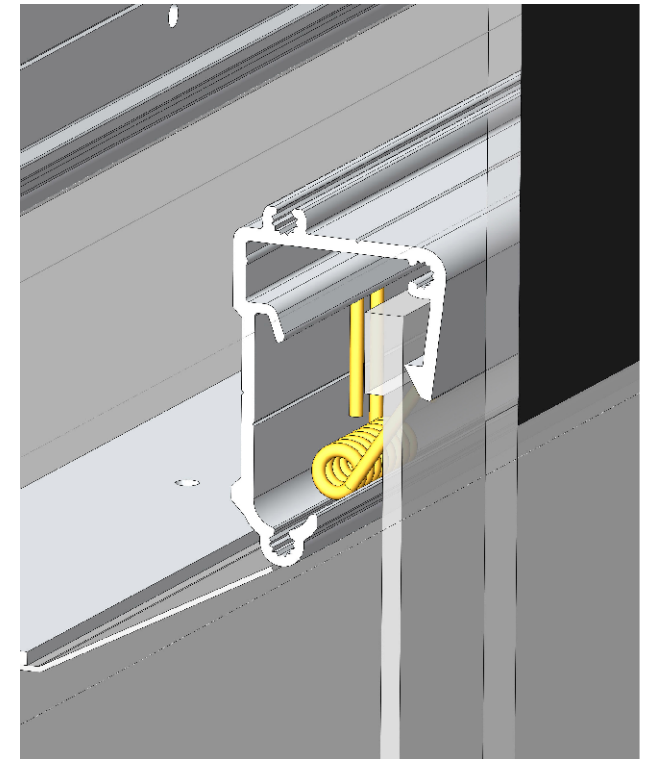


SECTION A-A



DETAIL B
(1 : 2)



	Scale: no	Units: mm	Projekt: Luxor DS FSU Adjustments:	All rights reserved. This is property of NOVENTIS. Unless you obtain the express written permission of NOVENTIS no part shall be used, reproduced, divulged or made available to any third party. Disclosure to you does not confer any right or license.	
	Tolerance: +/- 0.1	A4			Projek: Luxor DS FSU
	Datum: 04.04.2014				Filename:
Noventis viscom		079 632 28 11 Roger Blunier		1 of 1	