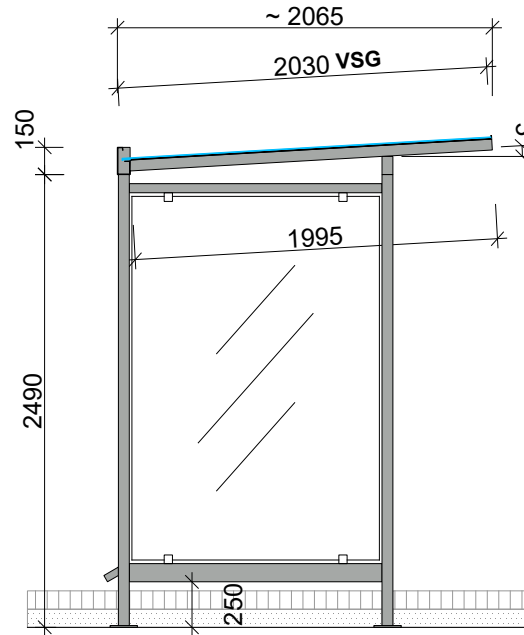
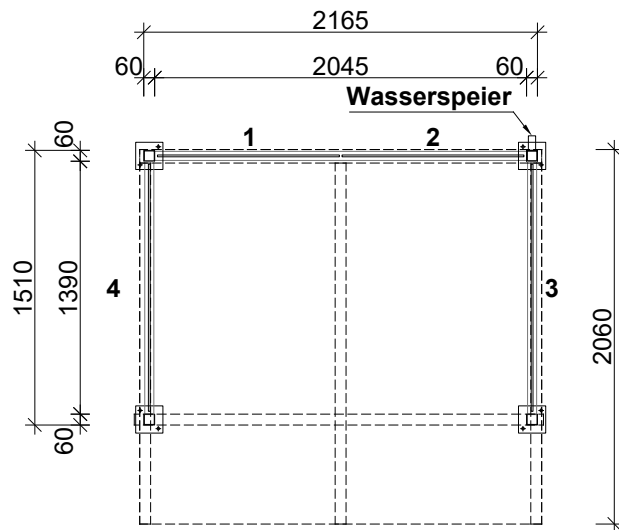


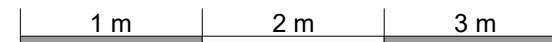
**Vorderansicht**



**Seitenansicht**



**Grundriss**



**Busunterstand Metro D-2 (mit Stützenverlängerung)**  
**Abri-bus Metro D-2 (avec pieds rallongés)**

	Scale: no	Units: mm	Produkt:		All rights reserved. This is property of NOVENTIS. Unless you obtain the express written permission of NOVENTIS no part shall be used, reproduced, divulged or made available to any third party. Disclosure to you does not confer any right or license.
	Tolerance: +/- 0.1	A4	Zeichnung:		
Datum: 06/08/2021	File:		Adjustments:		
<b>Noventis viscom</b>		<b>079 632 28 11</b> <b>Roger Blunier</b>		<b>1 of 1</b>	